



**WELCOME**

**The NewAge Way of Firefighting**



The NewAge group was incepted in the year 1960, for the manufacturing of quality Fire Fighting equipment & products. The group's innate focus on high quality & innovative processes, and systems has led to our meteoric rise in the firefighting industry.

Today, the group is a complete solution provider to the firefighting industry supplying Products, Systems, Services and Training catering to a wide range of clients from different industries viz. Oil & Gas, Marine, Mining, Petrochemical, Chemical, Defense, Fertilizers, Telecom, Automotive, Steel, Power Sectors etc.

NewAge is a widely acclaimed brand name in both National & International markets due to the products quality & customer oriented approach. The Products and Systems are approved by international certification agencies like UL, FM, BIS, DNV-GL and the likes. The group austerely adheres to national as well as global standards like NFPA, EN etc.

Our state of the art manufacturing facility is equipped with R&D and Innovation Centre. The facility is located at Khopoli, 70 km from Mumbai with a covered area 1,00,000 sq. ft. The registered & head office is located at Mumbai & branch offices at New Delhi, Kolkata, Chennai, Lucknow, Kochi & Bengaluru. Additionally, we have sales representatives & agents spread through the length and breadth of the country.

#### Group Companies:

- I. NewAge Fire Protection Engineers Pvt. Ltd. – Firefighting Systems
- II. NewAge Fire Protection Industries Pvt. Ltd. – Firefighting Equipment & Products



## **HELIPAD FIREFIGHTING SYSTEM – NewAge DIFFS**

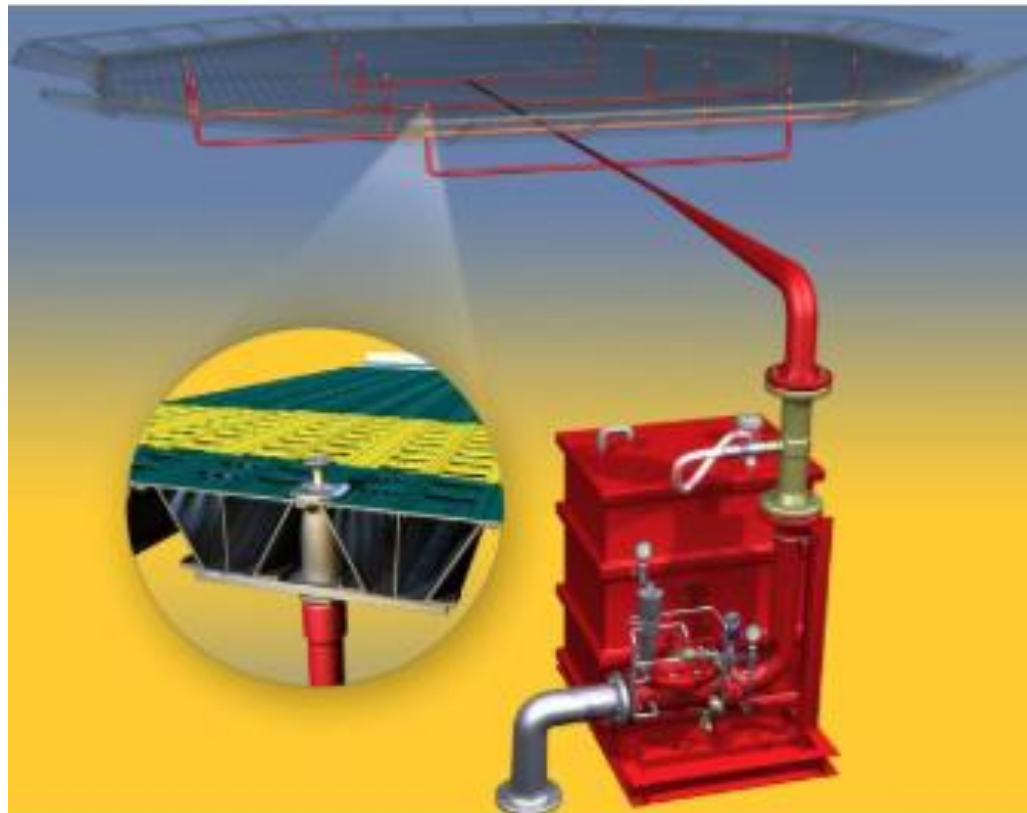
DIFFS is an acronym for “Deck Integrated Fire Fighting System”

We have pioneered and developed a next generation, automatically operated DIFFS unit. This system differs from existing ones in that it is sensor activated for automatic operation, is fully fire tested in accordance with applicable standards and latest civil aviation codes.



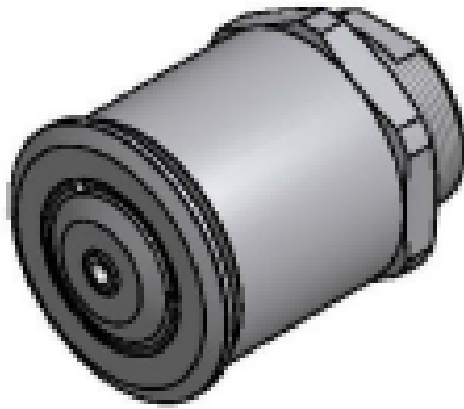
## SYSTEM OVERVIEW

The foam DIFFS system consists of a diesel operated deluge valve, pop up spray nozzles, remote manual stations, UV/IR flame detectors, deluge valve release panel, foam storage tank containing foam concentrate 1% or 3% AFFF and a turbine foam proportioner.



## NOZZLE

**K factor – 65 / 75 / 105**



### Characteristics

Material  
Interface for water supply  
Design pressure  
Water pressure range  
Flow tolerance  
Spread diameter  
Spread height  
Deck thickness

### Standard

AISI 316  
1 ½" BSPP Female  
20 bar  
4-6 bar  
Nominal value  $\pm 5\%$   
7 m  
7 m  
5 – 20 mm

### Options

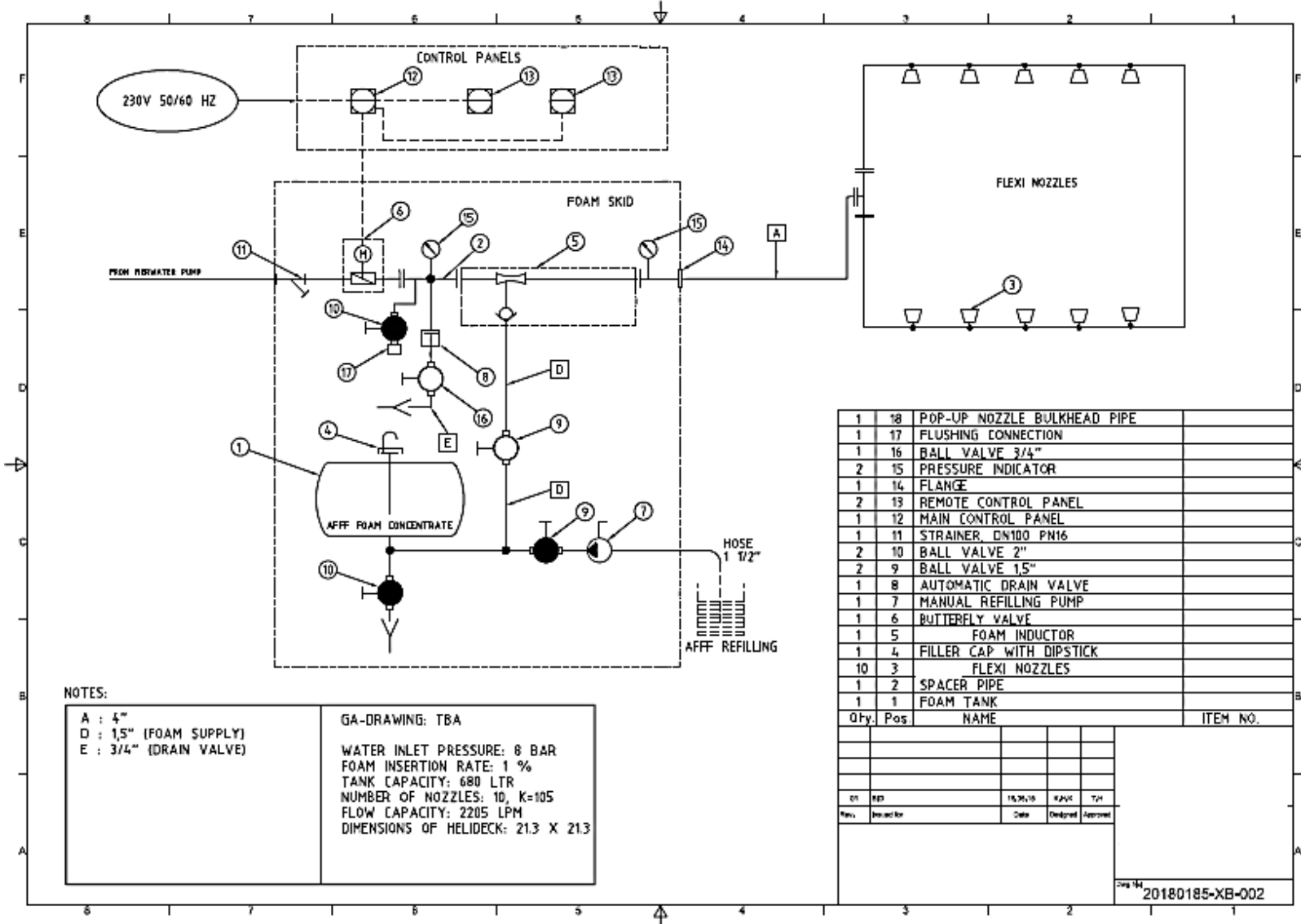
BS 1400 AB2  
  
  
  
  
  
120 mm – 200 mm

## PUMP

- Diesel engine operated
- Flow rate: Up to 10000 LPM
- Head: Max. 14 BAR
- Suitable Control Panel
- Remote Operation optional



# System Design



## Advantages



1. Safe
2. Automatic
3. Nozzle spray uniformly : fire out in <15 second in the worst case
4. Firefighting platforms can be eliminated or made smaller
5. More efficient fire suppression and not affected by wind
6. Multiple nozzles less affected by blockages caused by debris





# Thank You

**Head Office:**

4, Champaklal Udyog Bhavan, Sion (E), Mumbai - 400 022. India.

Tel.: +91-22-4351 1500 / 24077421 • Fax : +91-22-2407 4229 / 2407 1320

E-mail : [info@newagefireprotection.com](mailto:info@newagefireprotection.com) • Website : [www.newagefire.co](http://www.newagefire.co)

**Works:**

Khopoli • Maharashtra • India.